

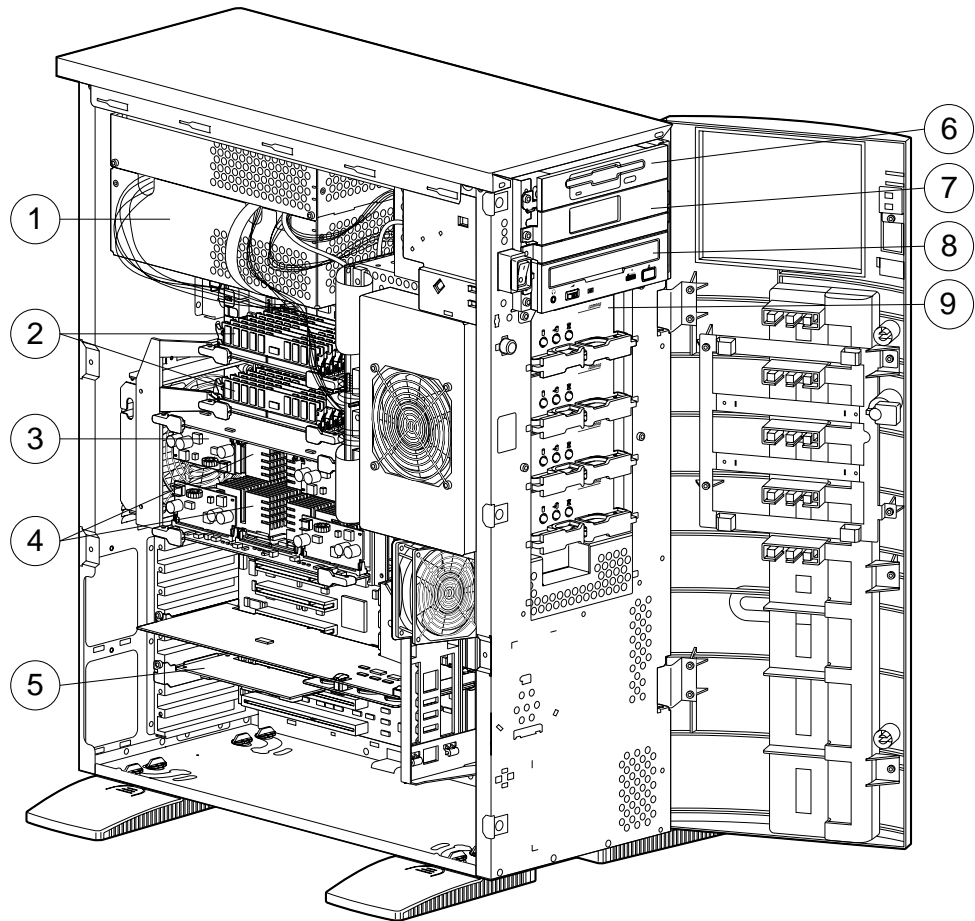
OVERVIEW

Compaq ProLiant 5000

BENEFITS AT A GLANCE

- High-end server delivering power and density for today's high performance applications
- Supports up to four Intel Pentium® Pro processors with redundant Processor Power Modules
- 256-, 512-KB or 1-MB high-speed 4-way set associative cache
- ECC-protected system bus and cache
- Dual peer PCI buses
- 64 MB or 128 MB of ECC memory expandable up to 4 GB
- Up to 7 PCI and 3 EISA slots (8 total slots)
- Internal mass storage capacity up to 72.8 GB
- Netelligent 10/100 TX PCI UTP Controller
- Optional redundant NICs
- Redundant Power Supply upgrade available
- Integrated 32-bit Fast-Wide SCSI-2/E Controller
- Preinstalled 8X CD-ROM drive
- Compaq Insight Manager and SmartStart
- Full-Spectrum Fault Management
- Protected by Compaq Services, including a three-year on-site limited warranty and extended Pre-Failure Warranty¹ which now covers Pentium Pro processors

¹ Certain restrictions and exclusions apply. Consult the Compaq Customer Support Center for details.



1. 488/540-Watt Power Supply
2. DIMM Memory Modules
3. Processor Power Modules
4. Pentium Pro Processors
5. Netelligent 10/100 TX PCI UTP Controller
6. 1.44-MB Diskette Drive
7. Expansion Bays
8. Internal 8X CD-ROM Drive
9. Hot-Pluggable Drives

MODELS

**ProLiant 5000 6/166
with 512 K L2 Cache**
Model 1
219400-001

**ProLiant 5000 6/200
with 256 K L2 Cache**
Model 1
219200-001

**ProLiant 5000 6/200
with 512 K L2 Cache**
Model 1X
221000-001
Model 2
221000-002

STANDARD FEATURES

Processor

166- or 200-MHz Intel Pentium® Pro processor with optional redundant Processor Power Modules; one processor standard (two processors standard on Model 2); support for up to four processors in a symmetric multiprocessing environment

Memory

Models 1 and 1S: 64 MB of ECC memory expandable to 4 GB using industry-standard DIMMs Model 1X,
Model 2 and Model 2S: 128 MB of ECC memory expandable to 4 GB using industry-standard DIMMs

Cache Memory

Models 1 (219200-001) and 1S (219200-004): 256 KB high-speed 4-way set associative per processor
Models 1 (219400-001), 1X (221000-001), 2 (221000-002), and 2S (221000-004): 512 KB high-speed 4-way set associative per processor
1 MB cache processor kit (289726-B21) available.

Architecture

ProLiant 5000 System Architecture

Processor Slots

Two processor slots (each slot holds one board with two processor sockets)
Models 1 and 1S: one processor board
Models 1X, 2 and 2S: two processor boards

Expansion Slots

Up to seven PCI slots and three EISA slots (eight total slots; two shared) on two PCI buses; one PCI slot is occupied by network interface controller

Network Controller

Netelligent 10/100 TX PCI UTP Controller

Storage Controllers

All Models: Integrated 32-Bit Fast-Wide SCSI-2/E Controller

Storage and Expansion

Four hot-pluggable drive bays

Maximum Storage

Internal: 72.8 GB (with 18.2-GB drives)
External: 1.5 TB (with 18.2-GB drives)

Interfaces

Internal and external Fast-Wide SCSI-2, network, parallel, two serial, graphics, keyboard and pointing device (mouse)

Graphics

Integrated 1024 x 768, 16-color noninterlaced

Diskette Drive and CD-ROM Drive

1.44-MB diskette drive and Internal 8X CD-ROM drive

Hard Drives

Optional

Manageability

Compaq Insight Manager
Compaq Remote Insight Board (optional)
Automatic Server Recovery-2 (ASR-2)
Server Health Logging
Revision History Table
Automatic Revision Tracking
Drive Parameter Tracking (with SMART-2 Array controller)
Dynamic Sector Repairing (with SMART-2 Array controller)
Recovery Server Option
Off-Line Backup Processor
Pre-Failure Warranty (now covers Pentium Pro processors as well as hard drives and memory)

Security

MultiLock security features; power-on password; keyboard password; diskette drive control; diskette boot control; network server mode; security provision; parallel and serial interface control; administrator's password; disk configuration lock

Software

SmartStart, the server configuration and software integration tool from Compaq, is shipped standard with Compaq ProLiant servers. Both SmartStart and Compaq Insight Manager are included in the setup and management pack.

Power Supply

488 watts (at 120V)/540 watts (at 208V)
Redundant Power Supply (RPS) upgrade available

Service and Support

Compaq Services provides a wide range of service offerings including a three-year limited warranty¹ fully supported by a worldwide network of resellers and service providers; lifetime toll-free 7 x 24 hardware technical phone support; Pre-Failure Warranty coverage of hard drives, memory and Pentium Pro processor. Disaster recovery services are available through partnership with Comdisco.

OPTIONS

Processor

Pentium Pro 200/256K Kit	228411-001
Pentium Pro 500/600/512K Kit	273315-B21
Pentium Pro 166/512K Kit	219421-001
ProLiant 5000 Dual Pentium Pro Processor Board ²	219420-001
Redundant Processor Power Module	221058-001

Memory

64-MB Memory Expansion Kit (4 x 16-MB FPM DIMMs)	219282-001
128-MB Memory Expansion Kit (4 x 32-MB FPM DIMMs)	219283-001
256-MB Memory Expansion Kit (4 x 64-MB FPM DIMMs)	219284-001
512-MB Memory Expansion Kit (4 x 128-MB FPM DIMMs)	219285-001
1024-MB Memory Expansion Kit (4 x 256-MB buffered EDO DIMMs)	241774-B21
FPM/EDO Memory Board Conversion Kit ³	219481-B21

Monitors

V55 Color	308007-001
V75 Color	307710-001
V90 Color	305609-001
P50 Color	264200-001
P75 Color	307806-001
P110 Color	284956-001
P1610 Color	305708-001
TFT450 Flat Panel Color Monitor	170406-001
TFT500 Flat Panel Color Monitor	285006-001

Hard Drives/CD-ROM Drives/Diskette Drive

2.1-GB Pluggable Wide-Ultra SCSI-3 Drive	242583-001
4.3-GB Pluggable Wide-Ultra SCSI-3 Drive	272577-001
4.3-GB Pluggable Wide-Ultra SCSI-3 10,000 rpm ⁴ Hard Drive ⁵	304859-B21
9.1-GB Pluggable Wide-Ultra SCSI-3 Drive (1.6")	199882-001
9.1-GB Pluggable Wide-Ultra SCSI-3 Drive (1")	313706-B21
9.1-GB Pluggable Wide-Ultra SCSI-3 10,000 rpm ⁴ Hard Drive ⁵	304865-B21
18.2-GB Pluggable Wide-Ultra SCSI-3	313756-B21
Internal 8X CD-ROM Drive (IDE)	295888-001
Internal 24X Max ⁶ CD-ROM Drive	295545-B21
1.44-Megabyte Diskette Drive (Third Height)	294164-B21

Storage Controllers

SMART-2/E Array Controller	194751-001
SMART-2SL Array Controller ⁵	242776-B21
32 Bit Fast-Wide SCSI-2/E Controller	142290-001
SMART-2DH Array Controller	295242-B21
Wide-Ultra SCSI-3 Controller	272514-001
Dual Channel Wide-Ultra SCSI-3 Controller	295554-B21

Required Cabling

For required cabling information refer to Compaq website <http://www.compaq.com/products/servers/proliant5000>

Server Recovery

Recovery Server Option/U	304117-B21
Recovery Server Option/F	272829-001

External Storage

SCSI Storage Expander	142185-001
ProLiant Storage System Model/F1	272900-001
ProLiant Storage System Model/F2	272900-002
ProLiant Storage System Model/U1	304110-B21
ProLiant Storage System Model/U2	304110-B22
CD-Storage System (tower)	306521-B21

Tape Drives

2/4-GB DAT Drive	142019-001
4/8-GB DAT Drive	295353-B21
4/8-GB SLR Drive	295480-B21
12/24-GB DAT Drive	295513-B21
External 35/70-GB DLT Drive	242521-B21
External 15/30-GB DLT Drive	242457-001
Internal TurboDAT AutoLoader	142183-001
External TurboDAT AutoLoader	142187-001

DLT Libraries⁷

DLT Library 15 Cartridge ^{8,9} Model 1530-1	242403-B21
15/30 DLT Library Ready Drive	295166-B21
DLT Library Tabletop Conversion Kit ^{4,9}	295162-B21
35/70 DLT Library Ready Drive	295557-B21
DLT Library 15 Cartridge ⁹ Model 3570-1	295555-001
	295555-B31
DLT Library 15 Cartridge ⁹ Model 3570-2	295555-002
	295555-B32
DLT Magazine with Five 15/30-GB DLT Tape	242898-B21
DLT Magazine with Five 35/70-GB DLT Tape	295168-B21

OPTIONS (cont'd)

Communications

Serial/Parallel Interface Board	108406-002
Netelligent 100 FDDI EISA SAS Fiber-MIC Controller	267413-001
Netelligent 100 FDDI EISA DAS Fiber-MIC Controller	267415-001
Netelligent 100 FDDI EISA SAS UTP Controller	267414-001
Netelligent 100 FDDI EISA DAS UTP Controller	267416-001
Netelligent 100 FDDI PCI SAS Fiber-MIC Controller	287728-001
Netelligent 100 FDDI PCI DAS Fiber-SC Controller	242509-001
Netelligent 100 FDDI PCI SAS UTP Controller	242507-001
Netelligent 100 FDDI PCI DAS UTP Controller	242511-001
NetFlex-3/P Controller	
100Base-TX UTP Module ¹⁰	169804-001
100VG-AnyLAN UTP Module ¹⁰	169802-001
100Base-FX Module ¹⁰	267657-001
Netelligent 10 T/2 PCI UTP/Coax Controller	292856-B21
Netelligent 10 T PCI UTP Controller	242500-001
Netelligent 10/100 TX PCI UTP Controller	169845-001
Netelligent 16/4 TR PCI IBM UTP/STP Controller	301206-B21
Netelligent 4/16 TR PCI UTP/STP Controller	268009-001
AUI to BNC Transceiver	192732-001
Compaq Netelligent 56K ISA Fax Modem	294900-001
Compaq 336 ISA Fax Modem	259213-002

Uninterruptible Power Supply

UPS T1500	242688-003
UPS T2000	242688-005
UPS T1500h ¹¹	242688-004
Multi Server UPS Card	242755-001
Scalable UPS Card	242756-001

Other

ProLiant Storage System Model 1	189600-001
ProLiant Fast-Wide Duplexing Option	199614-001
ProLiant RPS Upgrade (tower)	163837-001
ProLiant Storage System RPS Upgrade	137889-001
ProLiant 5000 Tower-to-Rack Conversion Kit	186058-001
Compaq Remote Insight Board	199748-001
ProLiant Storage System/F Redundant Power Supply	224206-001

¹ Certain restrictions and exclusions apply. Consult the Compaq Customer Support Center for details.

² Standard in Models 1X, Models 2 and Models 2S.

³ Upgrade of the 1024-MB Memory Expansion Kit requires the FP/EDO Memory Board Conversion Kit (P/N 219481-B21) in systems with serial Number date code below X706 XXXX XXXX. Standard in Models 1S and 2S.

⁴ For complete compatibility information, refer to the Compaq SCSI Hard Drive Compatibility table located at <http://www.compaq.com/products/servers/storage/index-drives.html>. Using hard drives in unsupported configurations will result in voiding of the warranty and could result in damage to the drive and/or loss of data.

⁶ Data transfer rate will vary from 150 KB/s to 3600 KB/s.

⁷ Anticipated performance of the DLT Library should be verified by using the Compaq Backup Configuration Tool, downloadable from the Compaq website at <http://www.compaq.com/products/servers/storage/cheyennetool.html>, and with the DLT Library Performance Whitepaper ECG046/0298.

⁸ Required if connecting external device to Dual Channel Wide-Ultra Controller 295554-B21.

⁹ The DLT 15 Cartridge Library Model 1530-1 (Part #242403-B21) or Model 3570 (Part #295555-001/002/B32/291) can be mounted in a Compaq rack. To use any model of the library on a tabletop, the customer would purchase one of the Library Models listed above and would also order the Tabletop Conversion Kit (Part #295162-B21) to provide metal top and side covers. Refer to the Compaq DLT Libraries QuickSpec for details. DLT Library Model 1530-1 (3570-1/-2) includes one 15/30 DLT data cartridge (one 35/70 DLT data cartridge) and three empty 5-cartridge magazines. WW 242403-B21 (1530-1 drive) includes U.S. power cord US 295555-001/-002 (1 drive/2 drive) includes U.S. power cord, Int'l -B31/B32 (1 drive/2 drive) CTO power cord for country ordering the unit.

¹⁰ For NetFlex-3 controllers only.

¹¹ Models not available in North America.

FEATURES

Compaq ProLiant 5000

Compaq ProLiant 5000 6/166

Compaq ProLiant 5000 6/200

System Unit

Microprocessor	Two 166-MHz Intel Pentium® Pro processors	200-MHz Intel Pentium Pro processor
Upgradability	Processor upgradable to future Pentium Pro processors	Processor upgradable to future Pentium Pro processors
Cache	512-KB high-speed 4-way set associative per processor	256-KB high-speed 4-way set associative (Model 1) 512-KB high-speed 4-way set associative (Model 1X, 2) 1-MB high-speed 4-way set (associative option kit)
Architecture	ProLiant 5000 System Architecture	ProLiant 5000 System Architecture
Standard Processor Sockets	2 (1 available) Model 1 4 (2 available) Model 2	2 (1 available in Model 1) 4 (3 available in Models 1X) 4 (2 available in Model 2)
Optional Processor Sockets	2 (1 available) Model 1	2 via the ProLiant 5000 Dual Pentium Pro processor board (Model 1)
Expansion Slots		4 (2 available) in Models 1X and 2
I/O (Total)	8 (7 available, 6 in array models)	8
PCI	7 (6 available, 5 in array models)	7 (6 available)
EISA	3	3
Shared PCI/EISA	2	2
RAM		
Standard	64 MB	64 MB (Model 1, 1S) 128 MB (Models 1X, 2 and 2S)
Maximum	4 GB	4 GB

Network Interface Controllers

Serial/Parallel Interface Board	Optional	Optional
Netelligent 100 FDDI PCI SAS Fiber-SC Controller	Optional	Optional
Netelligent 100 FDDI PCI SAS Fiber-MIC Controller	Optional	Optional
Netelligent 100 FDDI PCI DAS Fiber-SC Controller	Optional	Optional
Netelligent 100 FDDI PCI SAS UTP Controller	Optional	Optional
NetFlex-3/P Controller		
100Base-TX UTP Module	Optional (for NetFlex-3)	Optional (for NetFlex-3)
100VG-AnyLAN UTP Module	Optional (for NetFlex-3)	Optional (for NetFlex-3)
100Base-FX Module	Optional (for NetFlex-3)	Optional (for NetFlex-3)
Netelligent 10 T/2 PCI UTP/Coax Controller	Optional	Optional
Netelligent 10 T PCI UTP Controller	Optional	Optional
Netelligent 10/100 TX PCI UTP Controller	Standard	Standard
Netelligent 16/4 TR PCI IBM UTP/STP Controller	Optional	Optional
Netelligent 4/16 TR PCI UTP/STP Controller	Optional	Optional
Netelligent Dual 10/100 TX PCI UTP Controller	Optional	Optional
AUI to BNC Transceiver	Optional	Optional

	Compaq ProLiant 5000 6/166	Compaq ProLiant 5000 6/200
Network Interface Controllers <i>(cont'd)</i>		
Compaq 336 ISA Fax Modem	Optional	Optional
Compaq Netelligent 56K ISA Fax Modem	Optional	Optional
Server Management		
Compaq Insight Manager	Standard	Standard
Compaq Remote Insight Board	Optional	Optional
Automatic Server Recovery	Standard	Standard
Server Health Logs	Standard	Standard
Recovery Server Option	Optional	Optional
Storage		
Diskette Drives	1.44-MB	1.44-MB
CD-ROM Drives		
Standard	8X CD-ROM Internal	8X CD-ROM Internal
Optional	8X CD-ROM Internal	8X CD-ROM Internal
Hard Drives		
Standard	—	—
Optional	2.1-GB, 4.3-GB, 9.1-GB and 18.2-GB Pluggable Wide-Ultra SCSI-3; 4.3-GB and 9.1-GB Pluggable Wide-Ultra SCSI-3 10,000 rpm	2.1-GB, 4.3-GB, 9.1-GB and 18.2-GB Pluggable Wide-Ultra SCSI-3; 4.3-GB and 9.1-GB Pluggable Wide-Ultra SCSI-3 10,000 rpm
External Storage		
ProLiant Storage System	Optional	Optional
ProLiant Storage System/U1 and /U2	Optional	Optional
SCSI Storage Expander	Optional	Optional
Maximum Storage Capacity		
Internal	72.8 GB	72.8 GB
External	1.5 TB (with 18.2-GB drives)	1.5 TB (with 18.2-GB drives)
CD-Storage System		
Tower	Optional	Optional
Tape Drives		
Optional	4/8-GB SLR, 2/4-GB DAT, 4/8-GB DAT, 12/24-GB DAT, Internal TurboDAT AutoLoader, Internal 15/30-GB DLT, 35/70-GB DLT, DLT Tape Array II, DLT Cartridge Library Model 1530-1 ¹ , DLT 15 Cartridge Library Models 3570-1 and 3570-2	4/8-GB SLR, 2/4-GB DAT, 4/8-GB DAT, 12/24-GB DAT, Internal TurboDAT AutoLoader, Internal 15/30-GB DLT, 35/70-GB DLT, DLT Tape Array II, DLT Cartridge Library Model 1530-1 ¹ , DLT 15 Cartridge Library Models 3570-1 and 3570-2
Controllers		
Standard	Integrated 32-Bit Fast-Wide SCSI-2	Integrated 32-Bit Fast-Wide SCSI-2
Optional	SMART-2/E Array, SMART-2DH Array, Wide-Ultra SCSI-3, Dual Channel Wide-Ultra SCSI-3	SMART-2/E Array, SMART-2DH Array, Wide-Ultra SCSI-3, Dual Channel Wide-Ultra SCSI-3

	Compaq ProLiant 5000 6/166	Compaq ProLiant 5000 6/200
Interfaces		
Parallel	1	1
Serial	2	2
Pointing Device (mouse)	1	1
Graphics	1	1
Keyboard	1	1
External Fast-Wide SCSI-2	1	1
Network		
RJ-45	1	1
BNC	Optional	Optional
Graphics		
Integrated 1024 x 768 Video System	Standard	Standard
Monitors		
V55 Color	Optional	
V75 Color	Optional	
V90 Color	Optional	
P50 Color	Optional	
P75 Color	Optional	
P110 Color	Optional	
P1610 Color	Optional	
TFT450 Flat Panel Color Monitor	Optional	
TFT500 Flat Panel Color Monitor	Optional	
Keyboard		
Keyboard and Mouse	Standard	Standard
Supported System Software from Compaq		
Compaq Insight Manager	Standard	Standard
Compaq SmartStart	Standard	Standard
Microsoft Windows NT Server 3.51, 4.0	Optional	Optional
Novell NetWare 3.20	Optional	Optional
Novell intraNetWare	Optional	Optional
SCO UnixWare 2.1	Optional	Optional
SCO Open Server Release 3.0	Optional	Optional
SCO OpenServer Release 5	Optional	Optional
IBM OS/2 v2.1x	Optional	Optional
IBM OS/2 Warp 3.0	Optional	Optional
IBM LAN Server 3.0x, 4.0	Optional	Optional
Other Supported System Software		
Microsoft Windows NT Server 4.0	Optional	Optional
Microsoft Windows NT Workstation 3.51	Optional	Optional

Compaq ProLiant 5000 6/166	Compaq ProLiant 5000 6/200
----------------------------	----------------------------

Other Supported System Software *(cont'd)*

Microsoft BackOffice	Optional	Optional
Novell intraNetWare SFT III	Optional	Optional
SCO Open Desktop v3.0	Optional	Optional
Banyan VINES v5.5x, 6.0	Optional	Optional

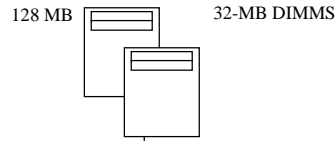
¹ Mounts in a standard Compaq rack; for use on a tabletop, requires the Tabletop Conversion Kit (Part #295162-B21). Refer to the Compaq DLT 15 Cartridge Library Model 1530-1 Quickspec for details.

MEMORY

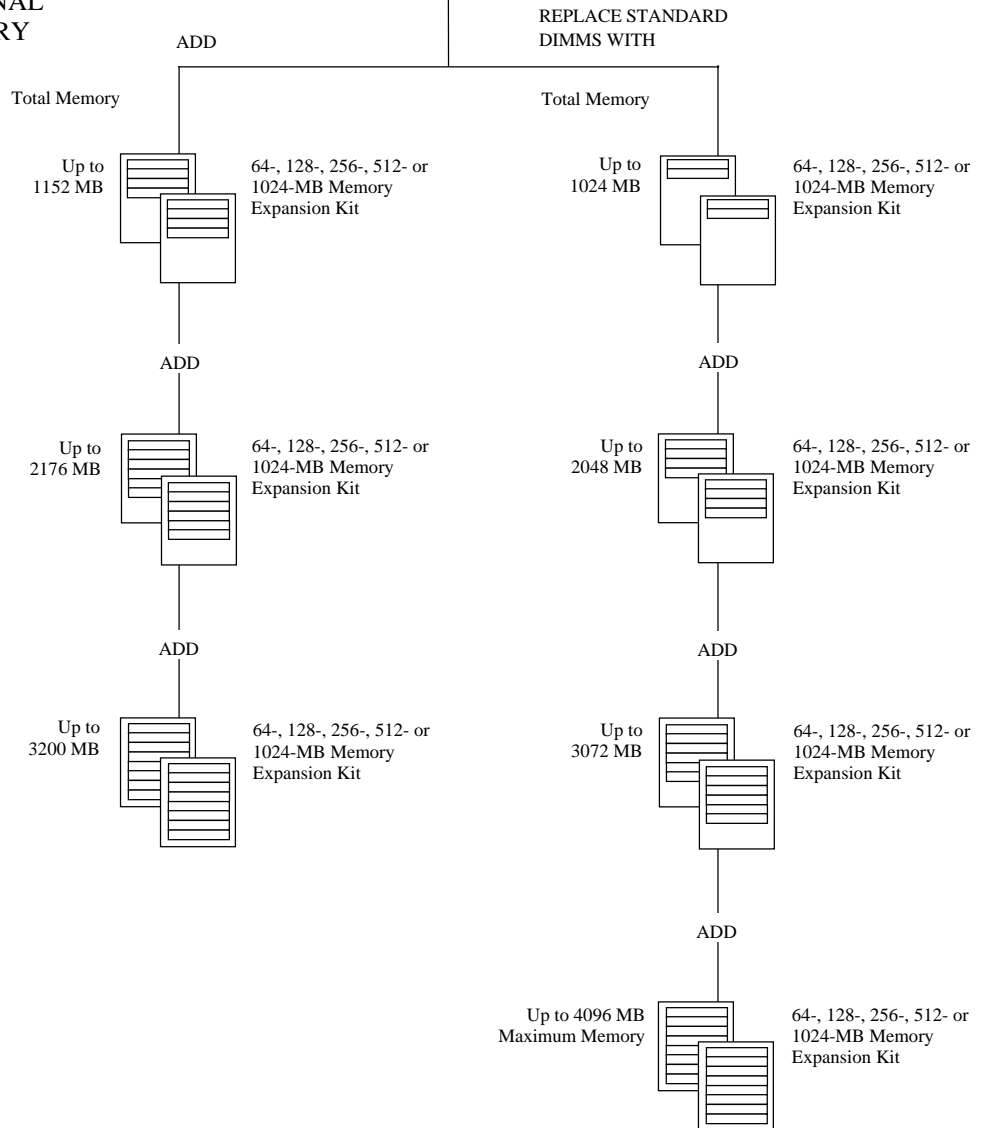
Compaq ProLiant 5000

Compaq ProLiant 5000 6/166 (All Models) and 6/200 (Models 1X and 2)

STANDARD MEMORY



OPTIONAL MEMORY



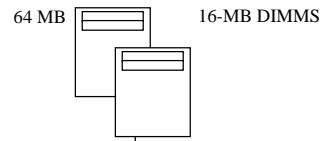
Notes:

Following are memory options available from Compaq:

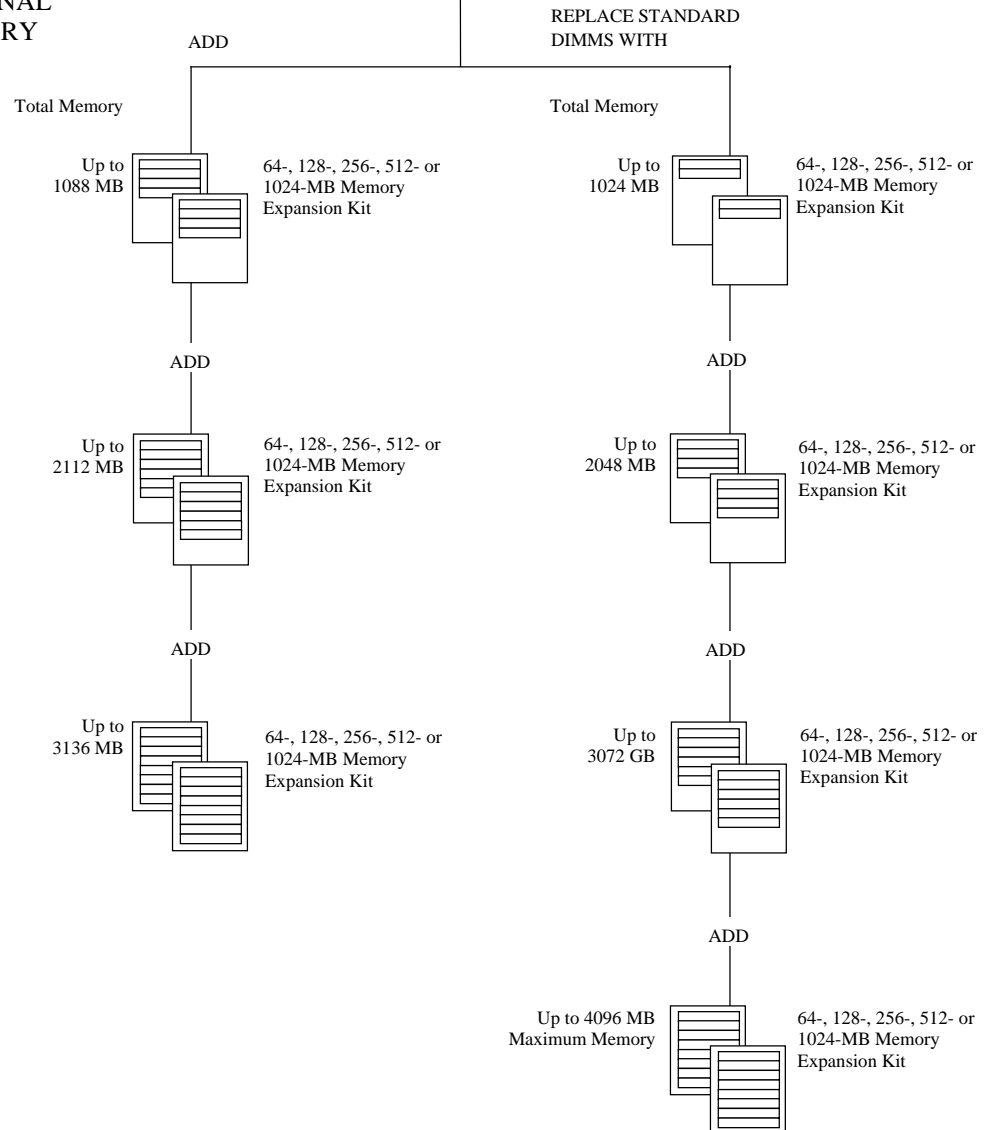
- 64-MB Memory Expansion Kit (4 x 16-MB FPM DIMMs) 219282-001
- 128-MB Memory Expansion Kit (4 x 32-MB FPM DIMMs) 219283-001
- 256-MB Memory Expansion Kit (4 x 64-MB FPM DIMMs) 219284-001
- 512-MB Memory Expansion Kit (4 x 128-MB FPM DIMMs) 219285-001
- 1024-MB Memory Expansion Kit (4 x 256-MB buffered EDO DIMMs) 241774-B21¹

Compaq ProLiant 5000 6/166 and 6/200 and 256 cache (Model 1)

STANDARD MEMORY



OPTIONAL MEMORY



Notes:

Following are memory options available from Compaq:

- 64-MB Memory Expansion Kit (4 x 16-MB FPM DIMMs) 219282-001
- 128-MB Memory Expansion Kit (4 x 32-MB FPM DIMMs) 219283-001
- 256-MB Memory Expansion Kit (4 x 64-MB FPM DIMMs) 219284-001
- 512-MB Memory Expansion Kit (4 x 128-MB FPM DIMMs) 219285-001
- 1024-MB Memory Expansion Kit (4 x 256-MB buffered EDO DIMMs) 241774-B21¹

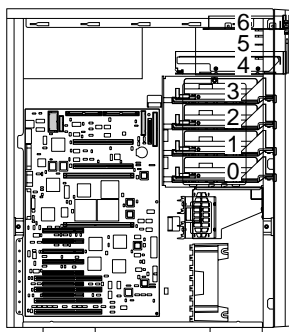
This chart does not represent all possible configurations.

¹ Upgrade of the 1024-MB Memory Expansion Kit requires the FP/EDO Memory Board Conversion Kit (P/N219481-B21) in systems with serial number date code below X706 XXXX XXXX.

STORAGE

Compaq ProLiant 5000

COMPAQ PROLIANT 5000 DRIVE SUPPORT



	Quantity Supported	Position Supported	Controller
Removable Media			
1.44-MB Diskette Drive	Up to 2	5, 6	Integrated
1.2-MB Diskette Drive	Up to 1	5	Integrated
CD-ROM Drive	Up to 2	4, 5	Integrated 32-Bit Fast-Wide SCSI-2/E, 32-Bit Fast-Wide SCSI-2/E, Wide-Ultra SCSI-3
SCSI Hard Drives			
2.1-GB, 4.3-GB, 9.1-GB, or 18.2-GB Pluggable Wide-Ultra SCSI-3 Drive	Up to 4	0-3	Wide-Ultra SCSI-3, 32-Bit Fast-Wide SCSI-2/E
4.3-GB, 9.1-GB Pluggable Wide-Ultra SCSI-3 10,000 rpm			
External Storage			
ProLiant Storage System	Up to 12 (2 per SMART controller)	External	Integrated 32-Bit Fast-Wide SCSI-2/E, 32-Bit Fast-Wide SCSI-2/E
ProLiant Storage System Model/F1	7 (1" or 1.6")		
ProLiant Storage System Model/F2	8 (1.6") or 12 (1" drives)		
ProLiant Storage System Model/U1			
ProLiant Storage System Model/U2			
SCSI Storage Expander	Up to 3	External	Integrated 32-Bit Fast-Wide SCSI-2/E, 32-Bit Fast-Wide SCSI-2/E, Wide-Ultra SCSI-3
CD-Storage System (tower)	Up to 7		
Tape Drives			
2/4-GB DAT, 4/8-GB DAT	Up to 2	4, 5	Integrated 32-Bit Fast-Wide SCSI-2/E, 32-Bit Fast-Wide SCSI-2/E, Wide-Ultra SCSI-3
4/8-GB SLR, 12/24-GB DAT			
Internal TurboDAT AutoLoader	1	4 and 5	Wide-Ultra SCSI-3, Fast-Wide SCSI-2
Internal 15/30-GB DLT, 35/70-GB DLT			
External TurboDAT AutoLoader	Up to 3 per controller	External	Wide-Ultra SCSI-3, Fast-Wide SCSI-2
External 15/30-GB DLT			
Internal 35/70-GB DLT			
DLT Cartridge Library Model 1530-1	1 Library per SCSI channel		
DLT 15 Cartridge Library Models 3570-1 and 3570-2			

PROLIANT 5000 SUPPORTED TAPE DRIVE OPTIONS

Tape Drive	Novell NetWare 3.20 and intraNetWare	SCO UNIX	Banyan VINES	OS/2 and LAN Server	Microsoft Windows NT
2/4-GB DAT Drive	AS, JS, LG, SE	AO, UX	VN	ST	AS, NT, SE
4/8-GB DAT Drive	AS, JS, LG, SE	AO, UX	VN	ST	AS, NT, SE
4/8-GB SLR Drive	AS, LG, SE	AO, UX	VN	ST	AS, NT, SE
12/24-GB DAT Drive	AS, JS, LG, SE	AO, UX	VN	ST	AS, NT, SE
TurboDAT AutoLoaders	AS, LG, SE	AO, UX	—	AS	AS, NT, SE
15/30-GB DLT Drive	AS, JS, LG, SE	AO, UX	—	NV	AS, NT, SE
35/70-GB DLT Drive	AS, JS, LG, SE	AO, UX	—	NV	AS, NT, SE
DLT 15 Cartridge Library Model 1530-1	AS, JS, SE	AO, UX	—	—	AS, NT, SE
DLT 15 Cartridge Library Models 3570-1 and 3570-2	AS, JS, SE	AO, UX	—	—	AS, NT, SE

Keys to Chart

AS	Computer Associates ARCserve	VN	Banyan VINES support for Compaq tape drives included in operating system.
JS	Computer Associates JETserve	UX	Device drivers for Compaq tape drives available from SCO in the SCO Compaq Supplement.
AO	Computer Associates ARCserve Open	NT	Microsoft Windows NT support for Compaq tape drives included in operating system.
LG	Legato Networker Software from Legato	NV	Novastor Novaback for OS/2
ST	Sytos Plus software		
SE	Seagate Software Backup Exec		

TECHSPECS

Compaq ProLiant 5000

System Unit

Dimensions (HxWxD)	
Feet Not Extended	25.80 x 8.75 x 22.40 in/65.3 x 22.2 x 56.9 cm
Feet Extended	25.8 x 16.15 x 22.40 in/65.3 x 41.0 x 56.9 cm
Weight	59.8 lb/27.09 kg
Input Requirements	
Range Line Voltage	90-132 VAC/180-270 VAC
Nominal Line Voltage	100-120 VAC/220-240 VAC
Line Frequency	50-60 Hz
Heat	2696 BTU
Steady-State Power (standard and Redundant Power Supply Models)	488 W/540 W
Temperature Range (noncondensing)	
Operating	50° to 93°F/10° to 35°C
Shipping	-22° to 140° F/-30° to 60°C
Relative Humidity (noncondensing)	
Operating	20% to 80%
Nonoperating	5% to 90%

1.44-MB Diskette Drive

Diskette Size	3.5-in
LED Indicators (front panel)	Green
Read/Write Capacity per Diskette (high/low density)	1.44 MB/720 KB
Drive Supported	One
Drive Height	One-third
Drive Rotation	300 rpm
Transfer Rate (high/low)	500/250 Kb/s
Bytes/Sector	512
Sectors/Track (high/low)	18/9
Tracks/Side (high/low)	80/80
Access Times	
Track-to-Track (high/low)	3/6 ms
Average (high/low)	169/94 ms
Settling Time	15 ms
Latency Average	100 ms
Cylinders (high/low)	80/80
Read/Write Heads	Two

8X CD-ROM Drive IDE Internal

Disk	CD-ROM (Mode 1 and 2), CD-DA, CD-XA (Mode 2, Form 1 and 2), Photo CD (Single and Multiple Session), Mixed Mode (Audio and Data Combined)
Capacity	550 MB (Mode 1, 12 cm), 640 MB (Mode 2, 12 cm), 180 MB (8 cm)
Block Size	2352, 2340, 2336, 2048, 1024 bytes (Mode 1); 2646, 2352, 2048, 2340, 2336, 1024 bytes (Mode 2); 2352 bytes (CD-DA)

**8X CD-ROM Drive
IDE Internal (cont'd)**

Disk (cont'd)	
Diameter	4.7 in, 3.15 in/12 cm, 8 cm
Rotational Speed	2120-920 rpm, normal quad
Center Hole	.6 in/15 mm diameter
Thickness	.05 in/1.2 mm
Track Pitch	1.6 μ m
Interface	IDE
Access Times (typical)	
Random	Less than 200 ms
Full Stroke	Less than 500 ms
Audio Output Level	
Line Out	0.7 VRMS at 47 kOhms
Headphone	0.7 VRMS at 32 kOhms (maximum volume)
Data Transfer Rate	
Sustained	600 KB/s 1200 KB/s
Burst	4 MB/s
Cache Buffer	256 KB
Start-Up Time (typical)	Less than 7 seconds
Stop Time	Less than 4 seconds
Laser Parameters	
Type	Semiconductor Laser GaAlAs
Wave Length	780 \pm 25 nm
Divergence Angle	53.5 $^{\circ}$ \pm 1.5 $^{\circ}$
Output Power	0.24 mW \pm 0.1 mW
Operating Conditions	
Temperature	41-113 $^{\circ}$ F/5-45 $^{\circ}$ C
Humidity	10-80%
Dimensions	
(HxWxD, maximum)	1.69 x 5.75 x 8.19 in/4.29 x 14.6 x 20.8 cm
Weight	2.09 lb/.95 kg

**Integrated 32-Bit
Fast-Wide SCSI-2/E
Controller**

Drives Supported	Up to seven SCSI-2 devices
Data Transfer Method	32-Bit PCI bus master
SCSI Channel Transfer Rate	20 MB/s
Maximum Transfer Rate per PCI Bus	133 MB/s
SCSI Termination	Active Termination
SCSI Connectors	1 external, 2 internal

**SMART-2DH Array
Controller**

Protocol	Wide-Ultra SCSI-3
SCSI Electrical Interface	Single-ended
Drives Supported	Up to 14 Wide-Ultra SCSI-3, Fast-Wide or Fast-SCSI-2 Hard Drives
Data Transfer Method	32-bit PCI bus master
Maximum Transfer Rate on PCI Bus (peak)	133 MB/s

**SMART-2DH Array
Controller (cont'd)**

Total Channel Transfer Rate	80 MB/s (40 MB/s per channel)
Software Upgradable Firmware	Yes
Simultaneous Drive Transfer Channels	Two
Cache	16-MB ECC protected Array Accelerator, removable with battery backup
Logical Drives Supported	32
Reliability Features	
Distributed Data Guarding (RAID 5)	Yes
Data Guarding (RAID 4)	Yes
Drive Mirroring (RAID 1)	Yes
Drive Striping (RAID 0)	Yes
Controller Duplexing	Operating System Dependent
Automatic Data Recovery	Yes
Dimensions	
Height	3.8 in/9.9 cm
Length	13.75 in/34.9 cm
Thickness (including Array Accelerator)	.80 in/1.5 cm
Total Weight (including Array Accelerator)	N/A
Temperature Range	
Operating	50° to 95°F/10° to 36°C
Shipping	-22° to 140°F/-30° to 60°C
Related Humidity (non condensing)	
Operating	20% to 80%
Non-Operating	5% to 90%
Power Required	+5 V/2.6 amp +12 V/20 ms -12 V/20 ms
Heat Dissipated (maximum)	13.5 watts

**Netelligent 10/100 TX
PCI UTP Controller**

Network Interface	10Base-T/100Base-TX
Compatibility	IEEE 802.3/802.3u compliant
Data Transfer Method	32-bit bus-master PCI
Network Transfer Rate	
10Base-T (Half-Duplex)	10 Mb/s
100Base-TX (Full-Duplex)	20 Mb/s
100Base-TX (Half-Duplex), 100VG-AnyLAN	100 Mb/s
100Base-TX (Full-Duplex)	200 Mb/s
Connector	Single RJ-45
Dimensions	5.3 x 2.7 x .75 in/12.2 x 6.9 x 1.9 cm
I/O Address and Interrupt	Automatic Configuration
Environmental Requirements	
Operating	0° to 55°C; 10% to 90% humidity (noncondensing)
Nonoperating	-65° to 85°C; 5% to 95% humidity (noncondensing)
Communication Processor	Texas Instruments ThunderLAN
Power Requirements	614mA @ +5V typical

**Netelligent 10/100 TX
PCI UTP Controller**
*(cont'd)***Emissions Standards**FCC Class B
EN55022 Class B
CE Compliant**Cable Support**

10Base-T

Categories 3, 4 or 5 UTP (2 or 4 pair); up to
100 meters (328 feet)

100Base-TX

Category 5 UTP (2 pair); up to 100 meters
(328 feet)**OS Driver Support**Novell NetWare Server v 3.20, 4.1x, intraNetWare,
SFT III, Novell NetWare DOS
IBM LAN Server NDIS 3.0; Microsoft Windows
NT, Windows 95, Windows for Workgroups SCO
Unix